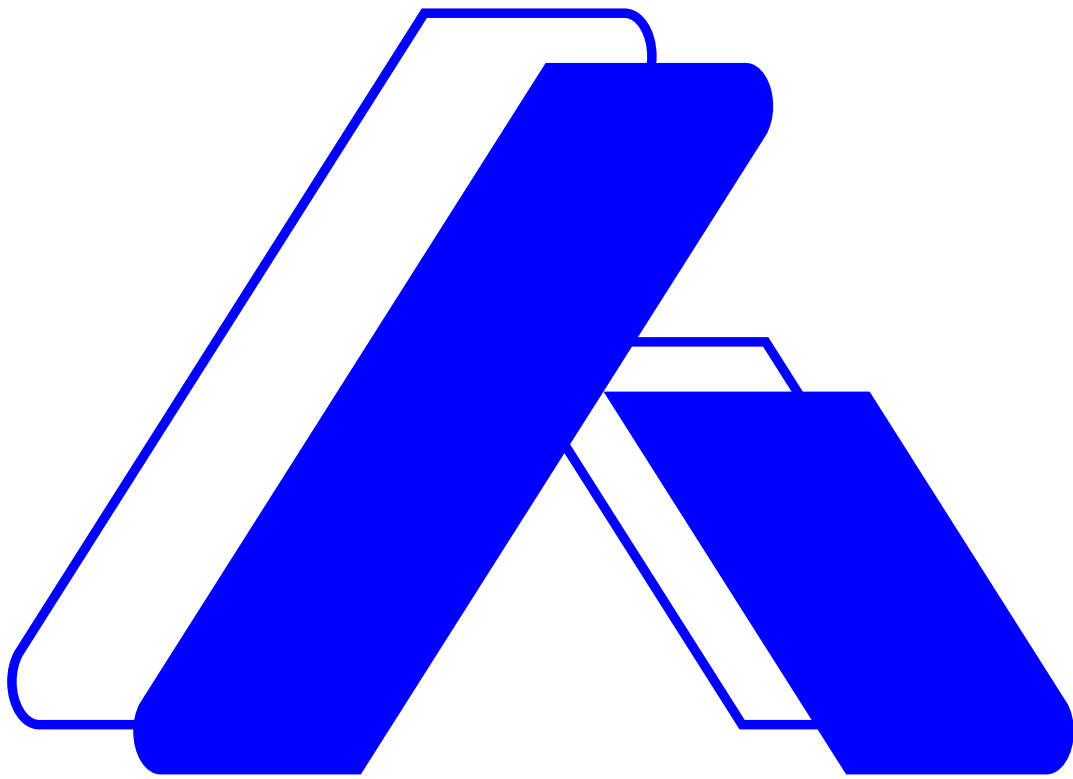
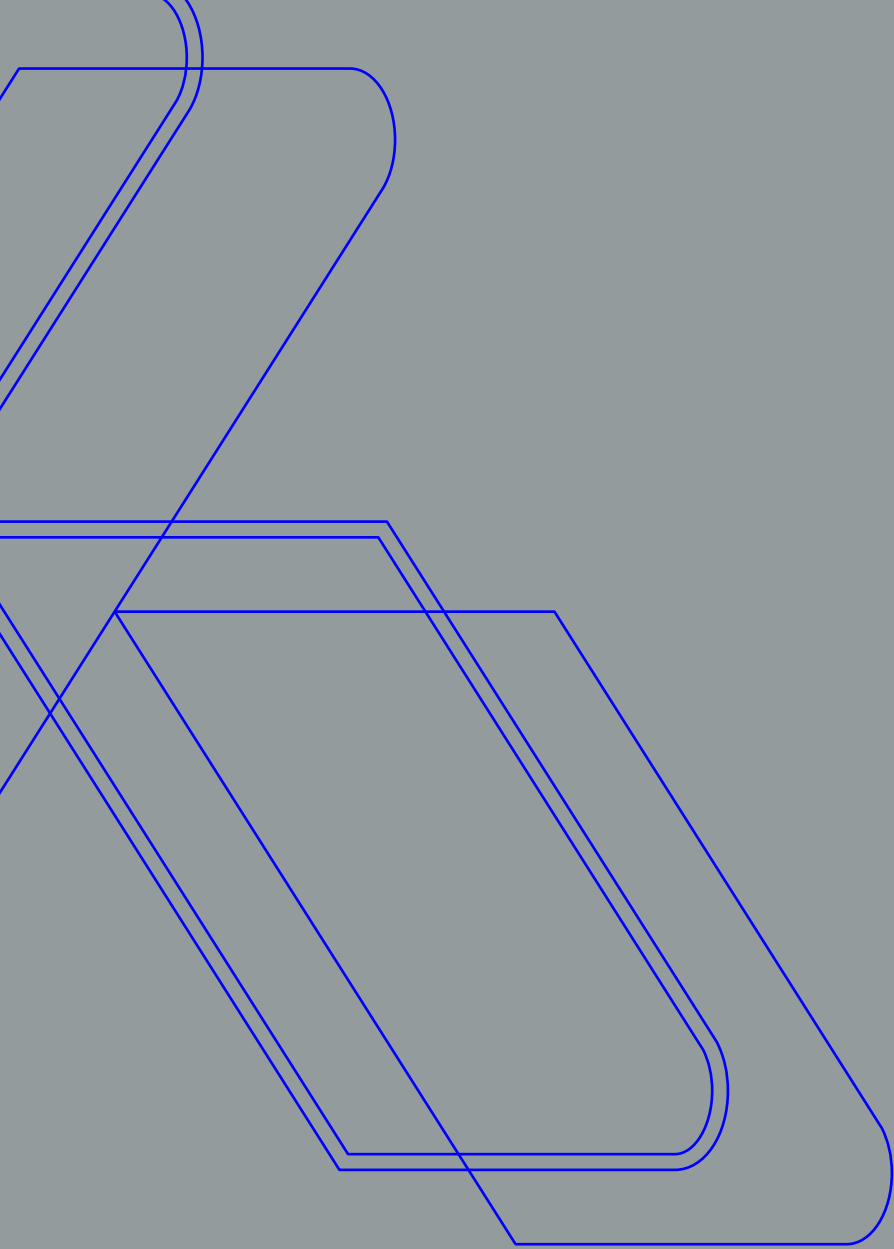


CATALOG

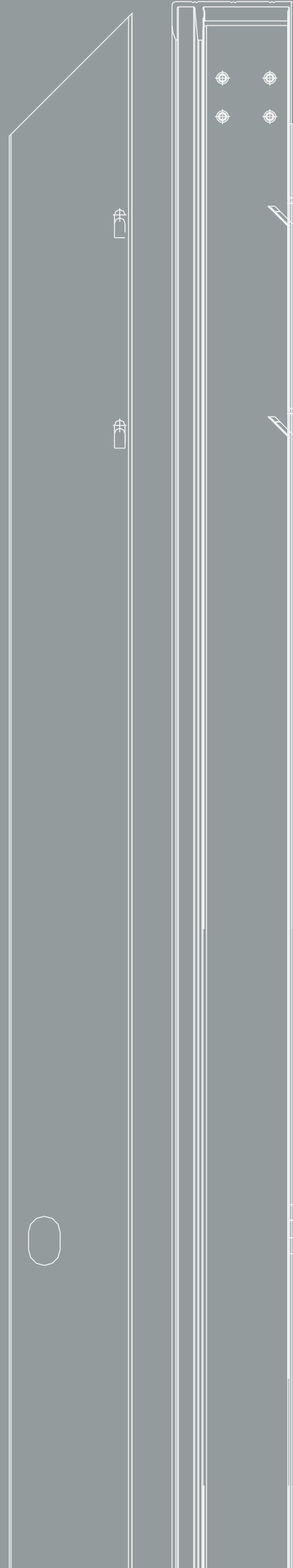
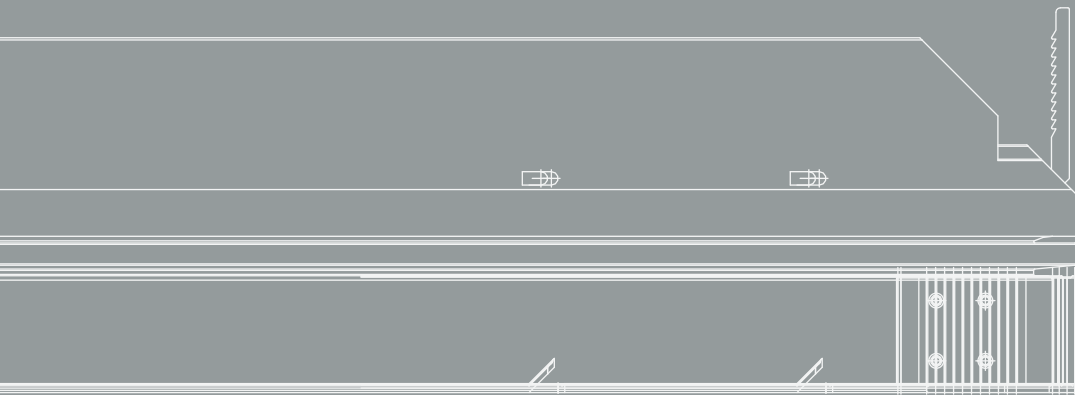
ALPRC
T E K N i K

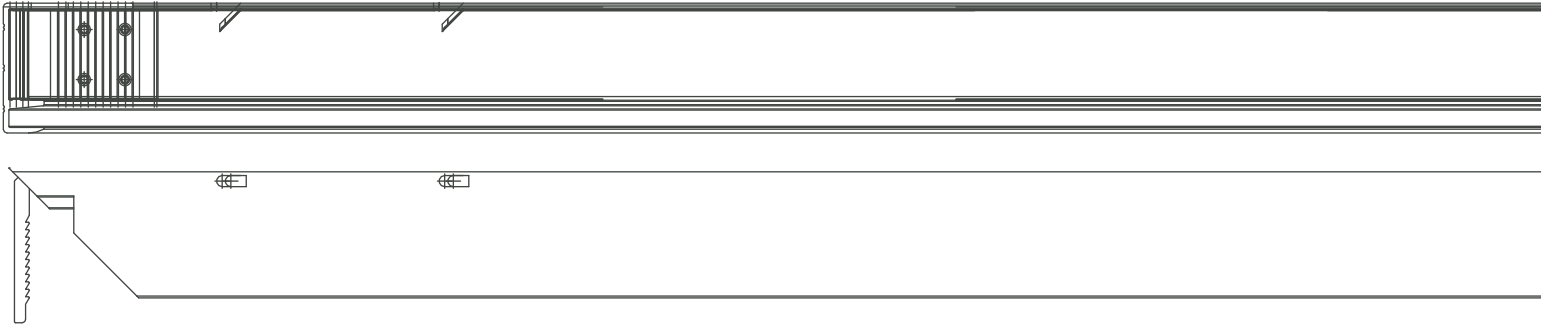


Innovative Approach for Industrial Solutions.



Aluminum Solar Frames





Frame solutions from 25x25 to 35x50

Anodized coating 10-20 micron

Frame manufacturing between 600-2500 mm

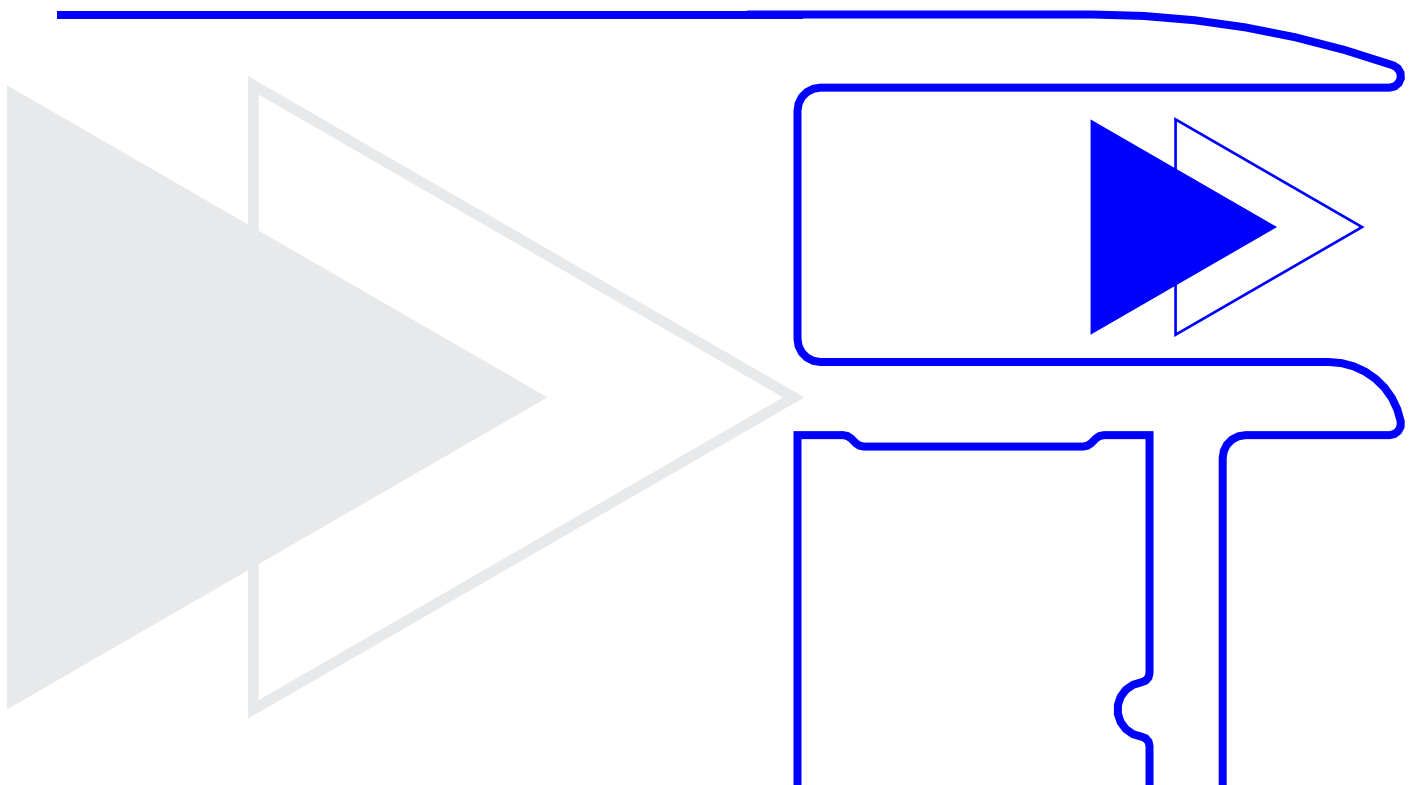
Capacity per Month 150,000 Set

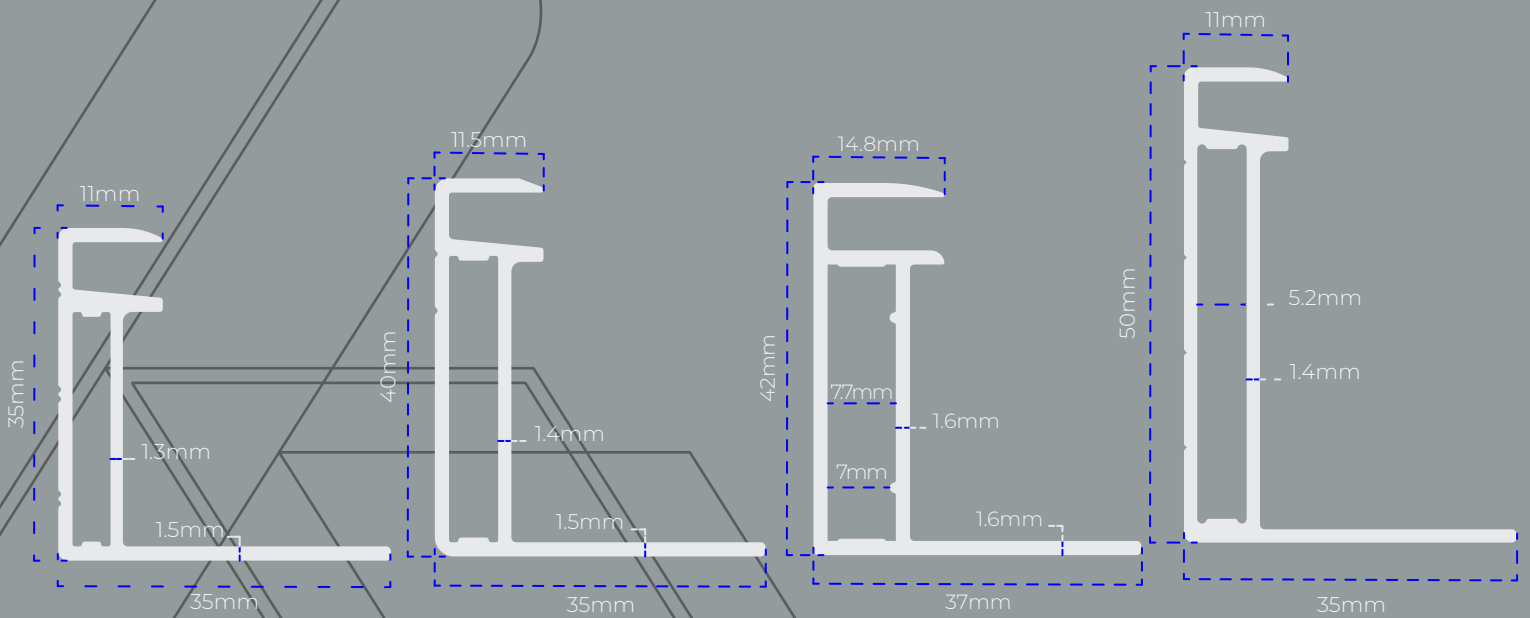
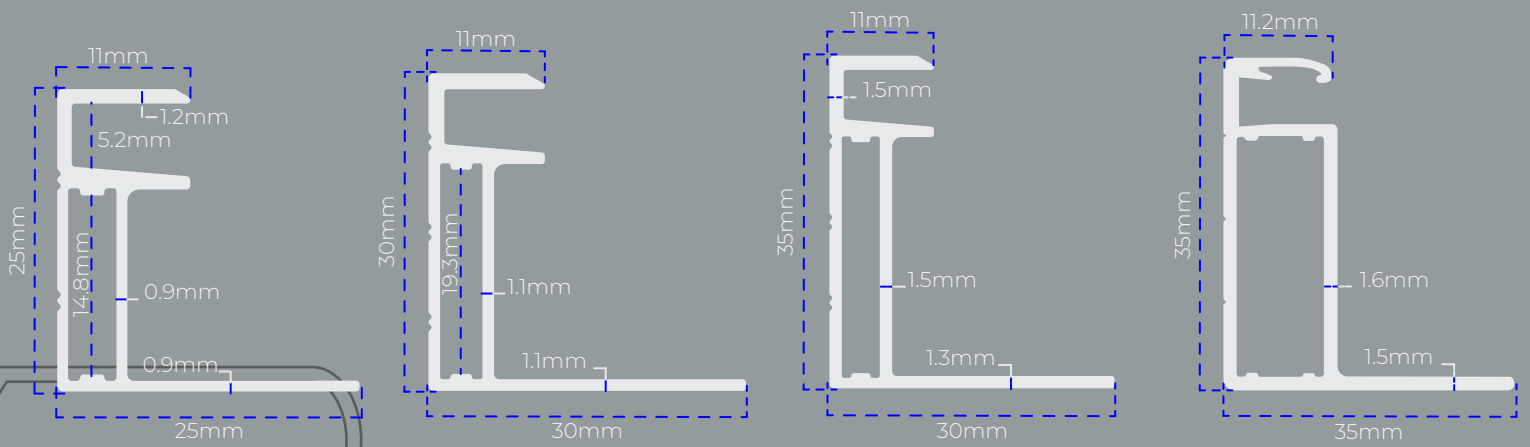
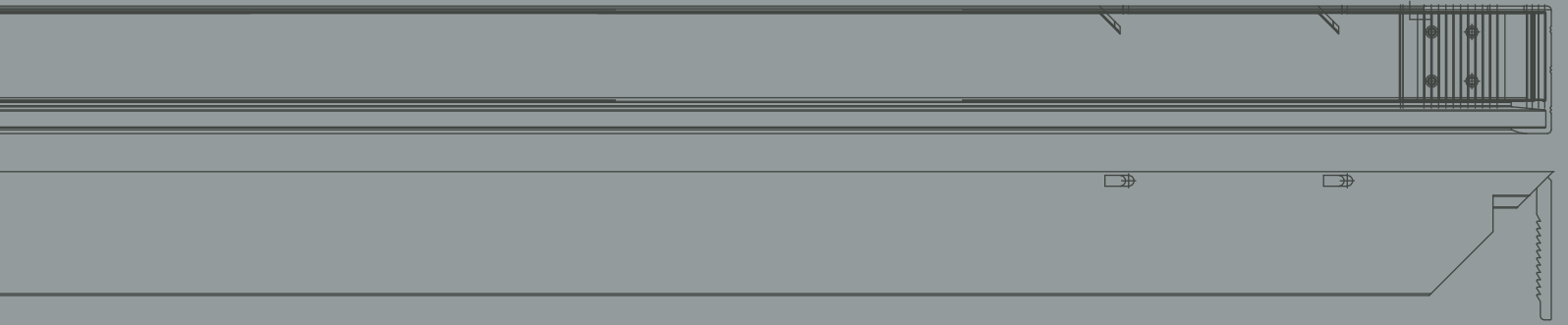
Production according to customer specific cross-sections and frame sizes

Cutting Accuracy ± 0.3 mm

Corner wedge applications, crushing process

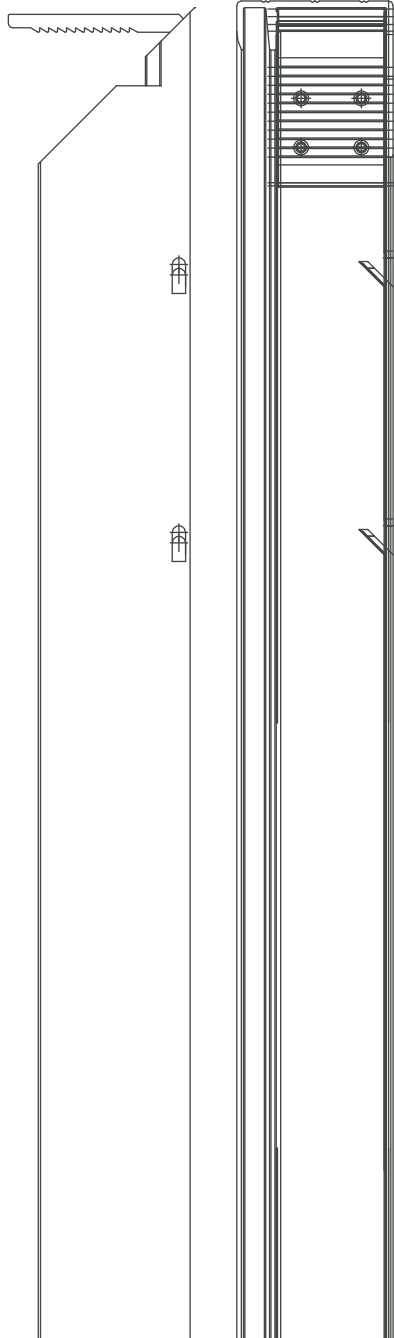
FRAME PROFILE DIMENSIONS



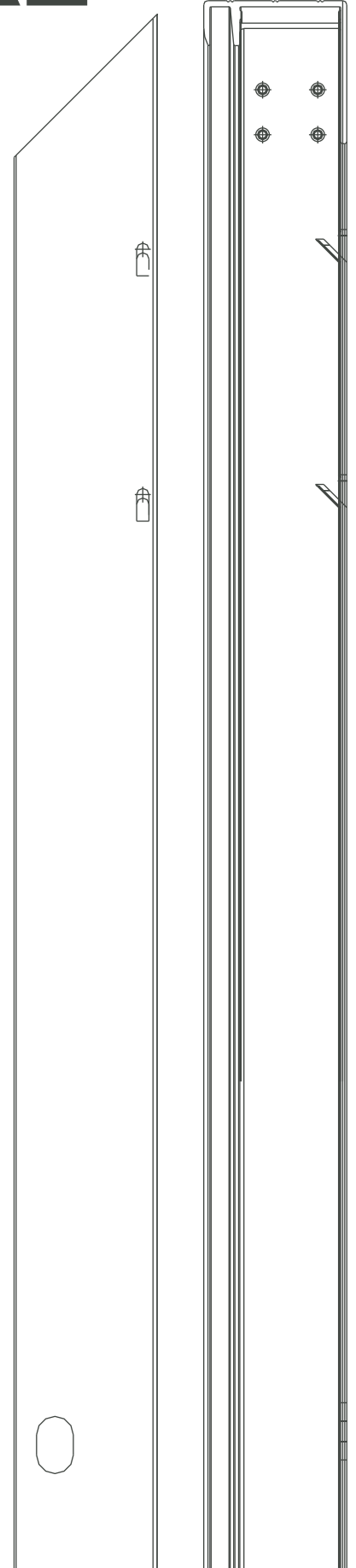


DIFFERENT TYPES OF MECHANICAL PROCESS

SHORT &



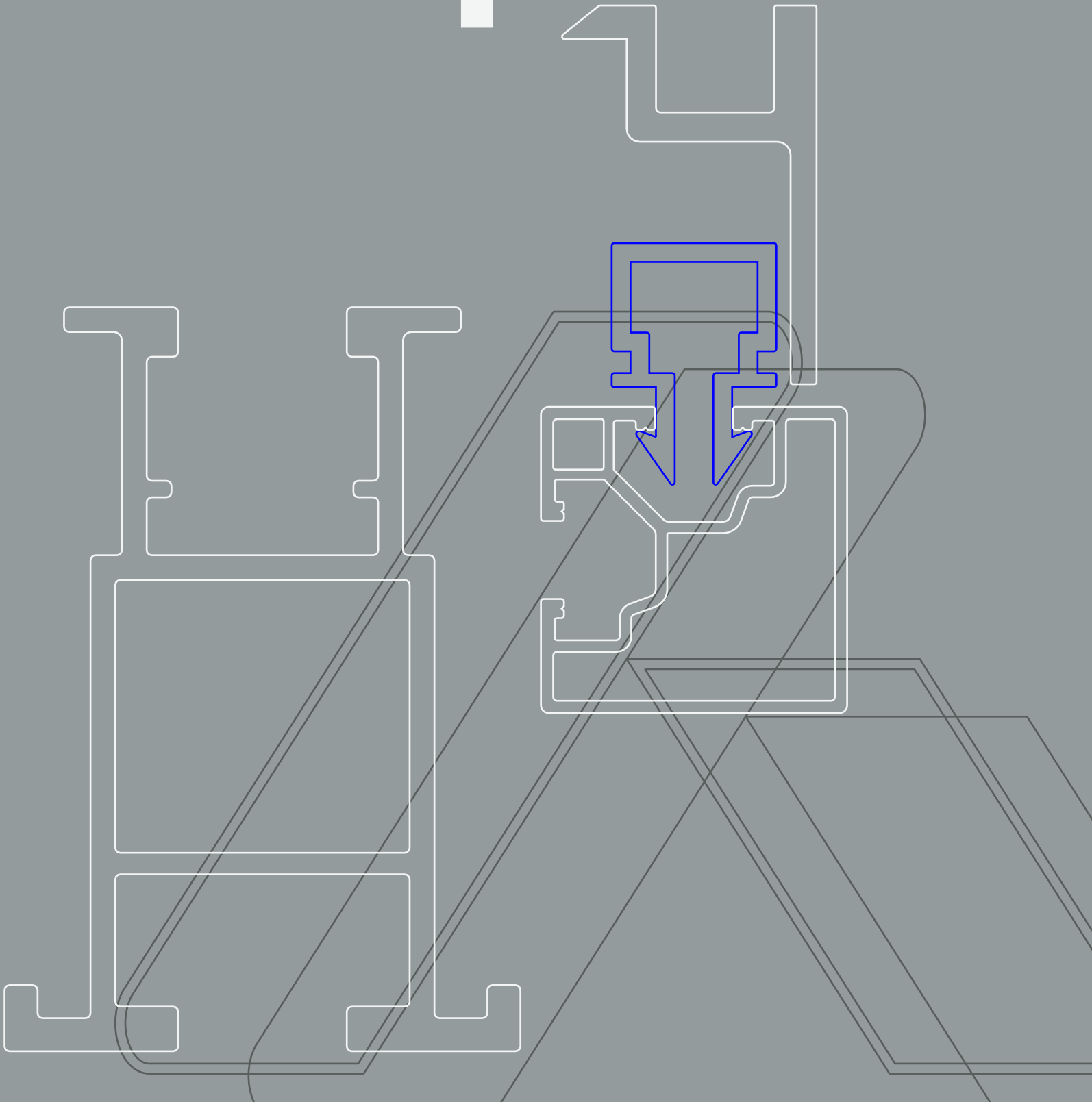
LONG FRAME



Construction

Profiles &

Clamps





Profiles for both solid and ground applications

New profiles in special designs for projects

More durable constructions with 6005 alloy

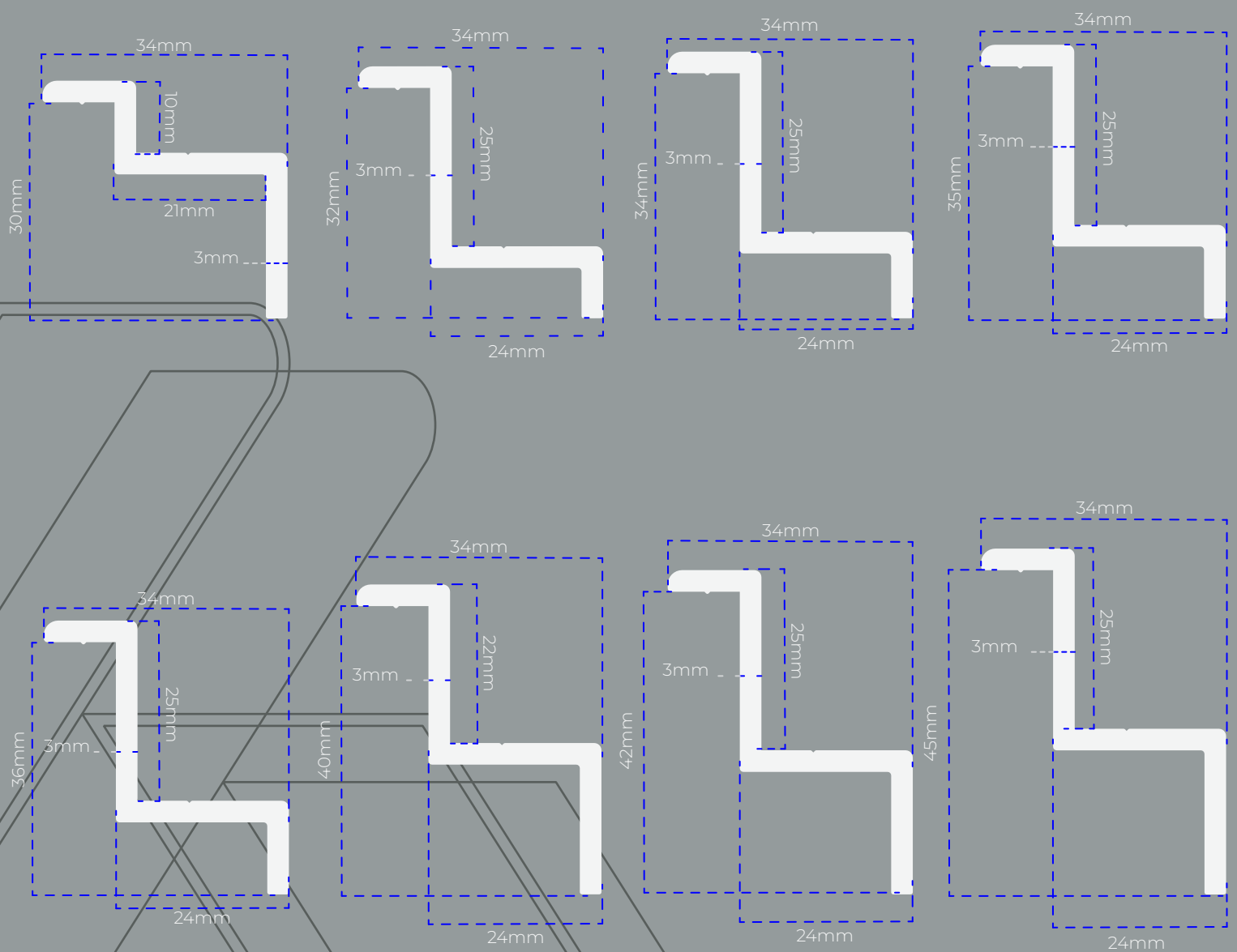
Aluminum profile production between 0.3 -12 meters

Clamp manufacturing in different types and lengths

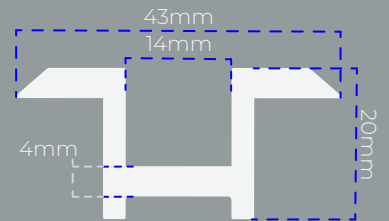
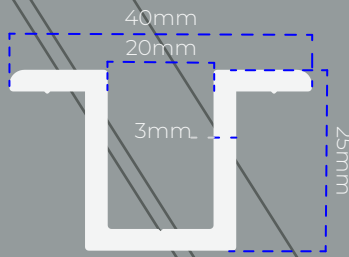
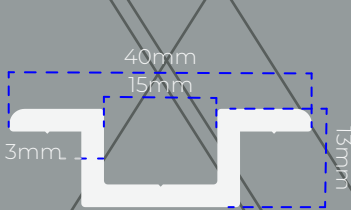
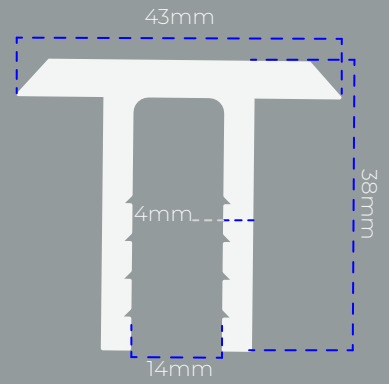
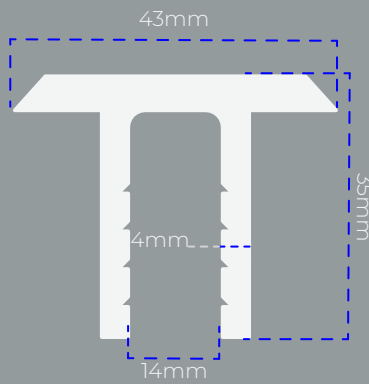
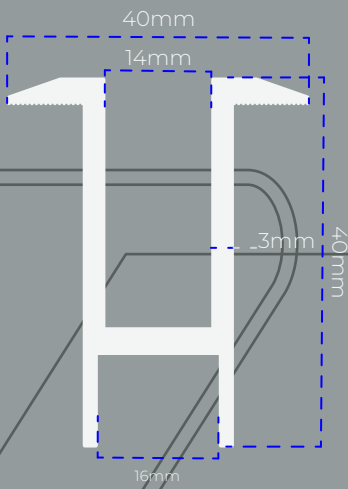
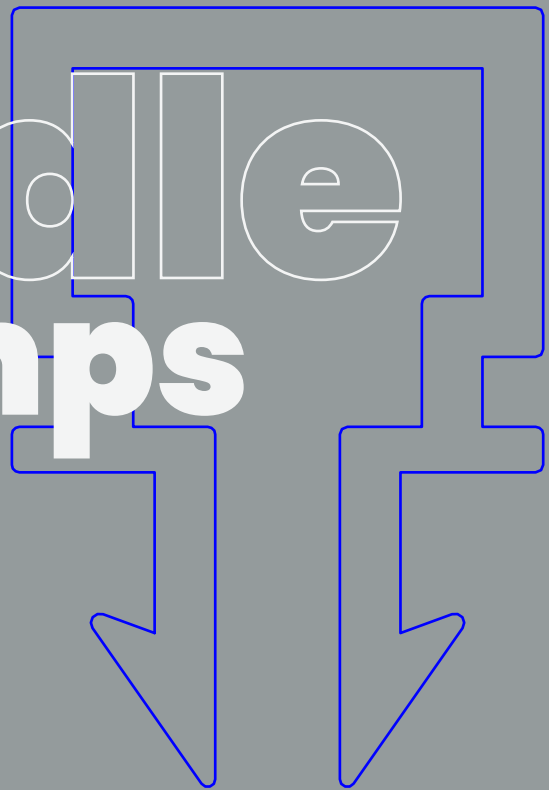
Mechanical processing capabilities CNC machinery

Clamps according to 30-50 mm panels

End Clamps

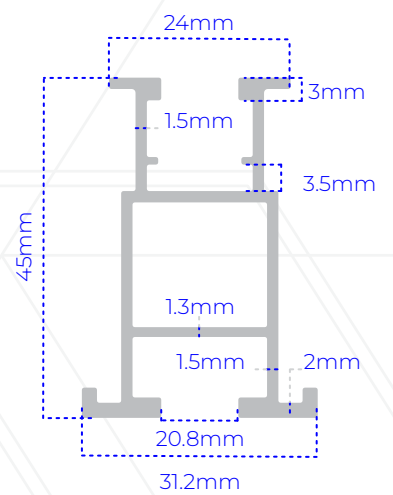
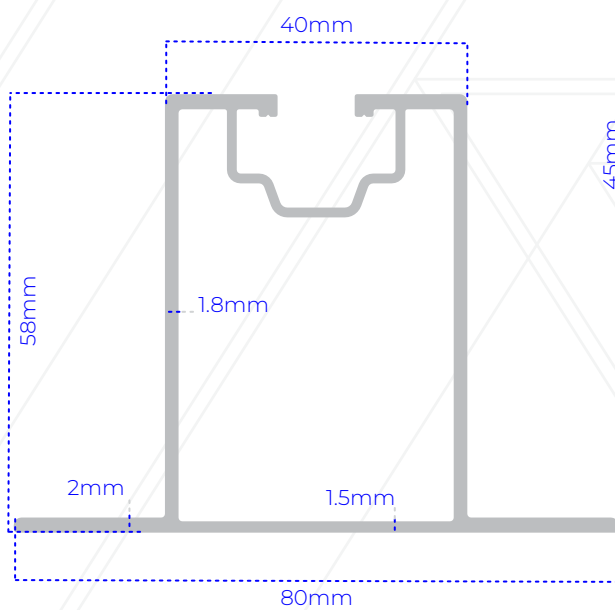
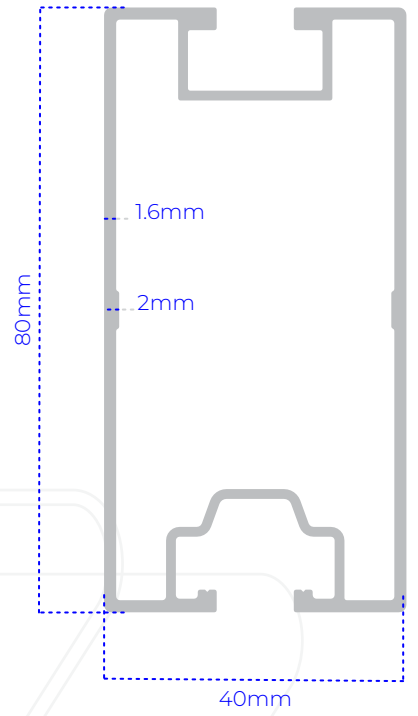
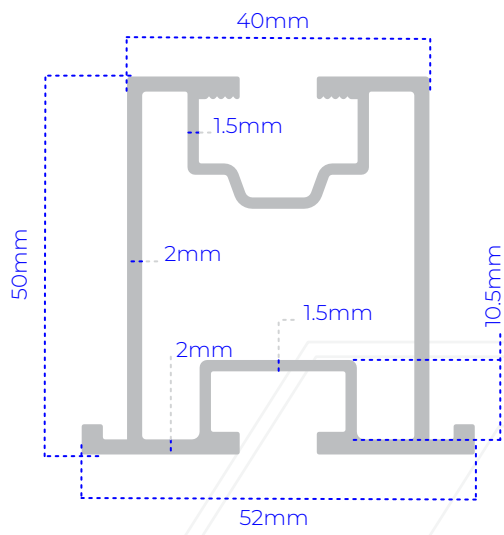
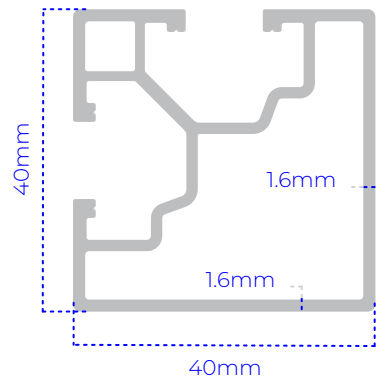
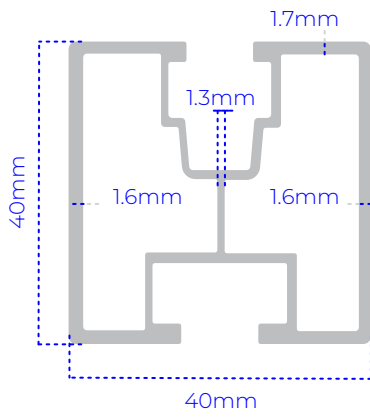
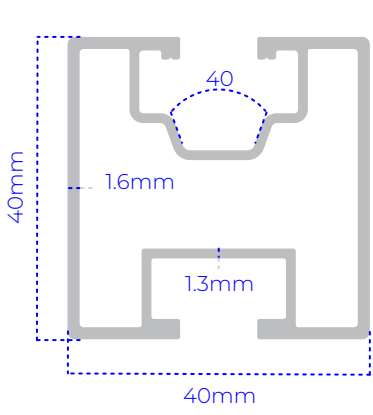


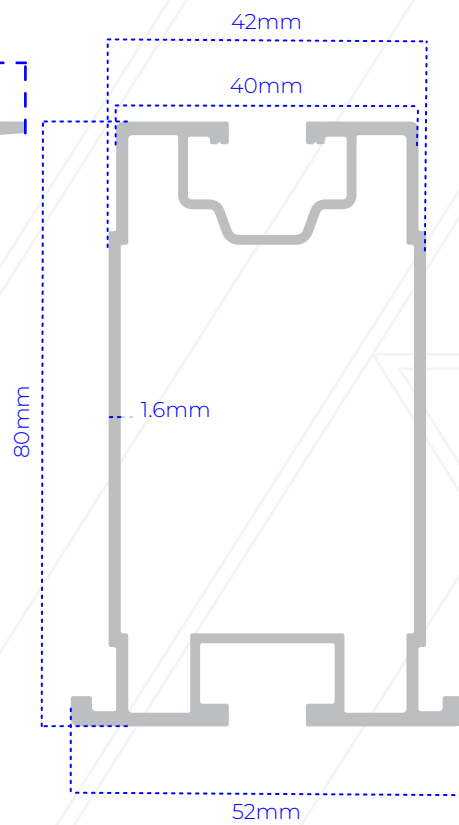
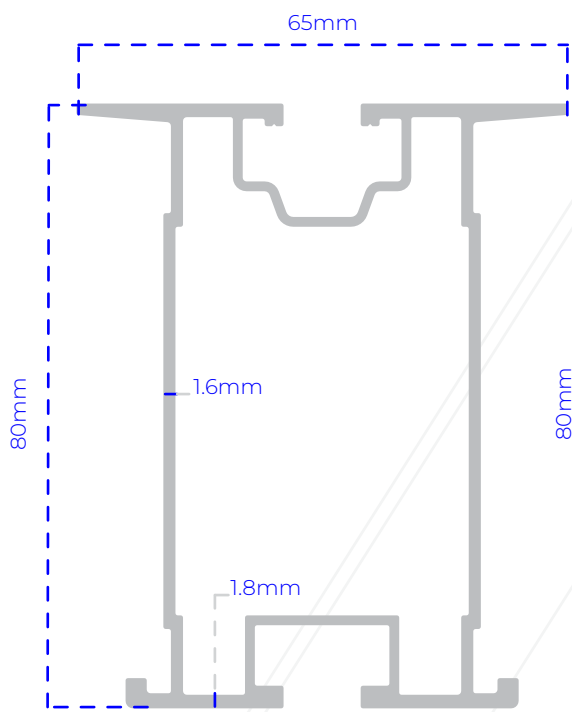
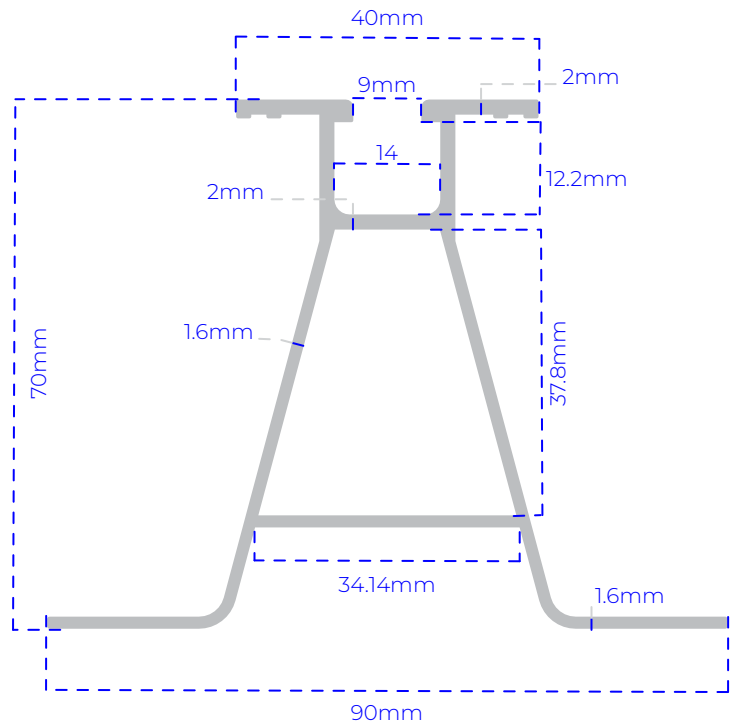
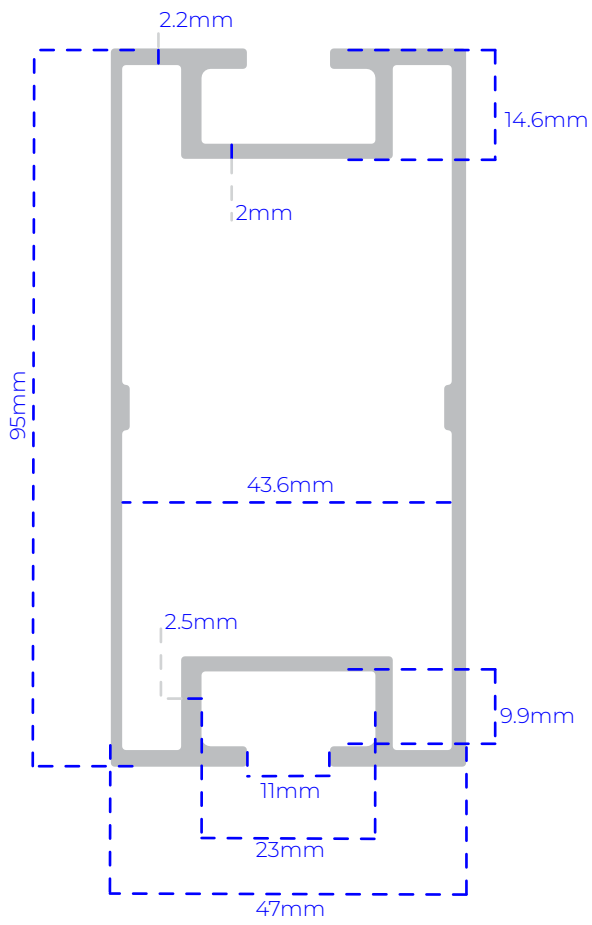
Middle Clamps



Construction

Profiles

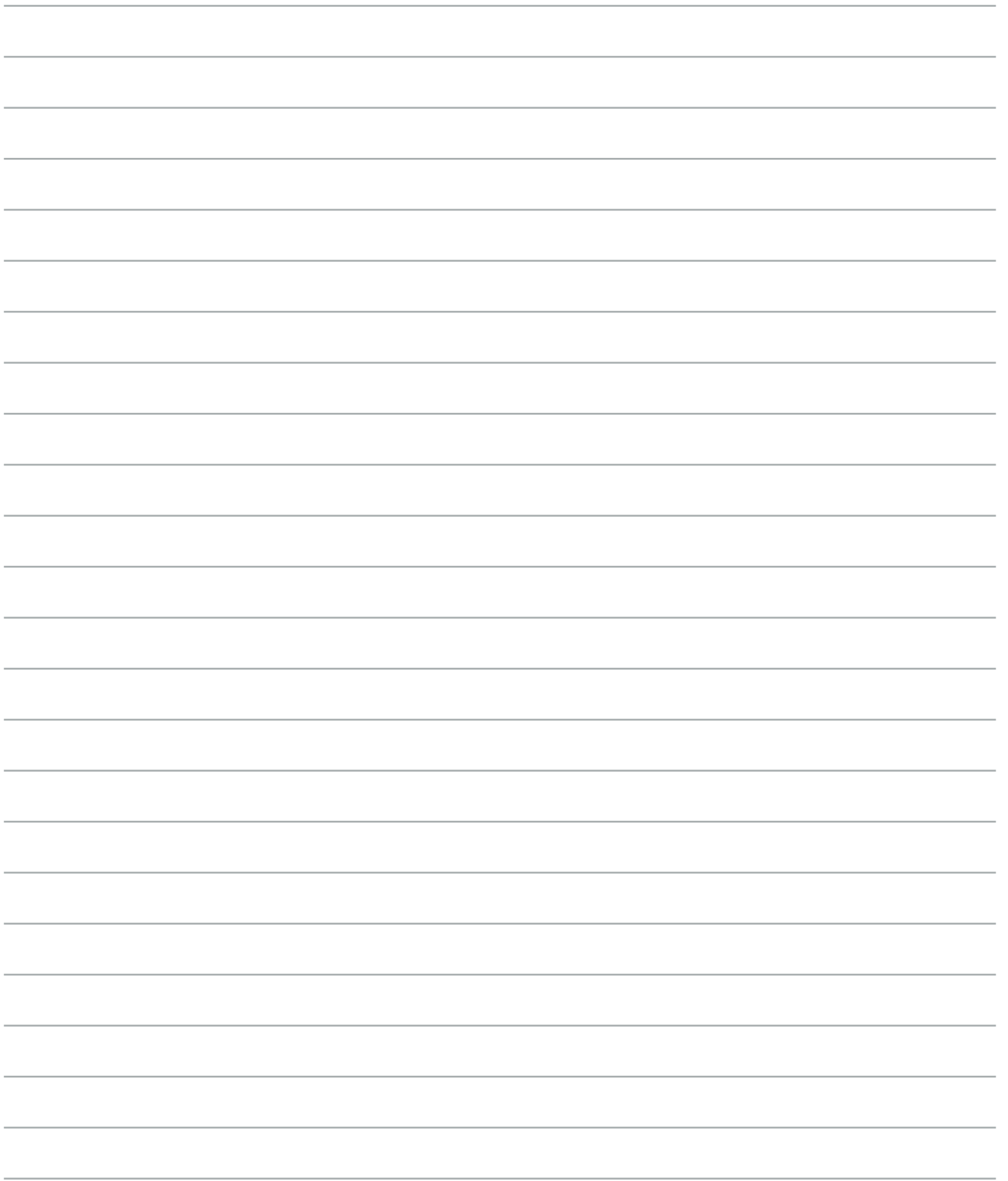


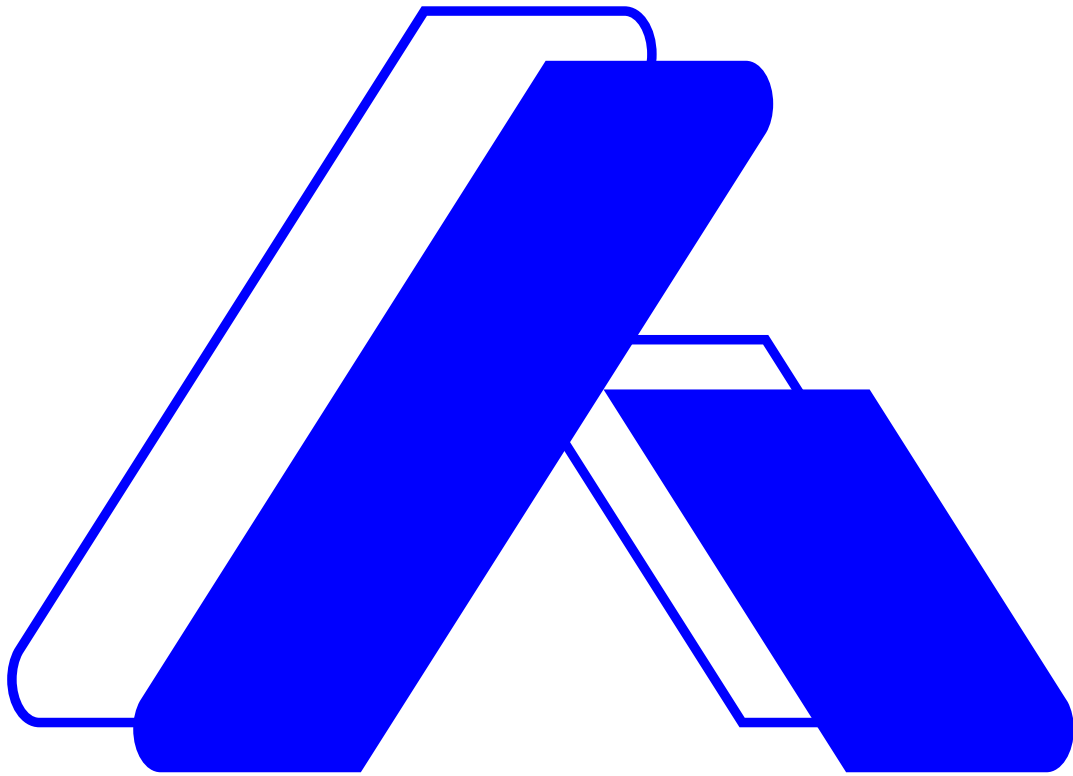


ROOF & GROUND

Have a Note

A series of horizontal lines for writing, with a faint, stylized illustration of a stack of papers or a notebook in the bottom right corner.





ALL YOUR NEEDS IN ONE PLACE

ALPRO
TEKNIK



Çalı Mh. Çalı Sanayi Bölgesi
Çınarlık Cd. No:18-20/B
Nilüfer/BURSA

info@alproteknik.com.tr

alproteknik.com.tr