

CATALOG

ALPRC
T E K N i K

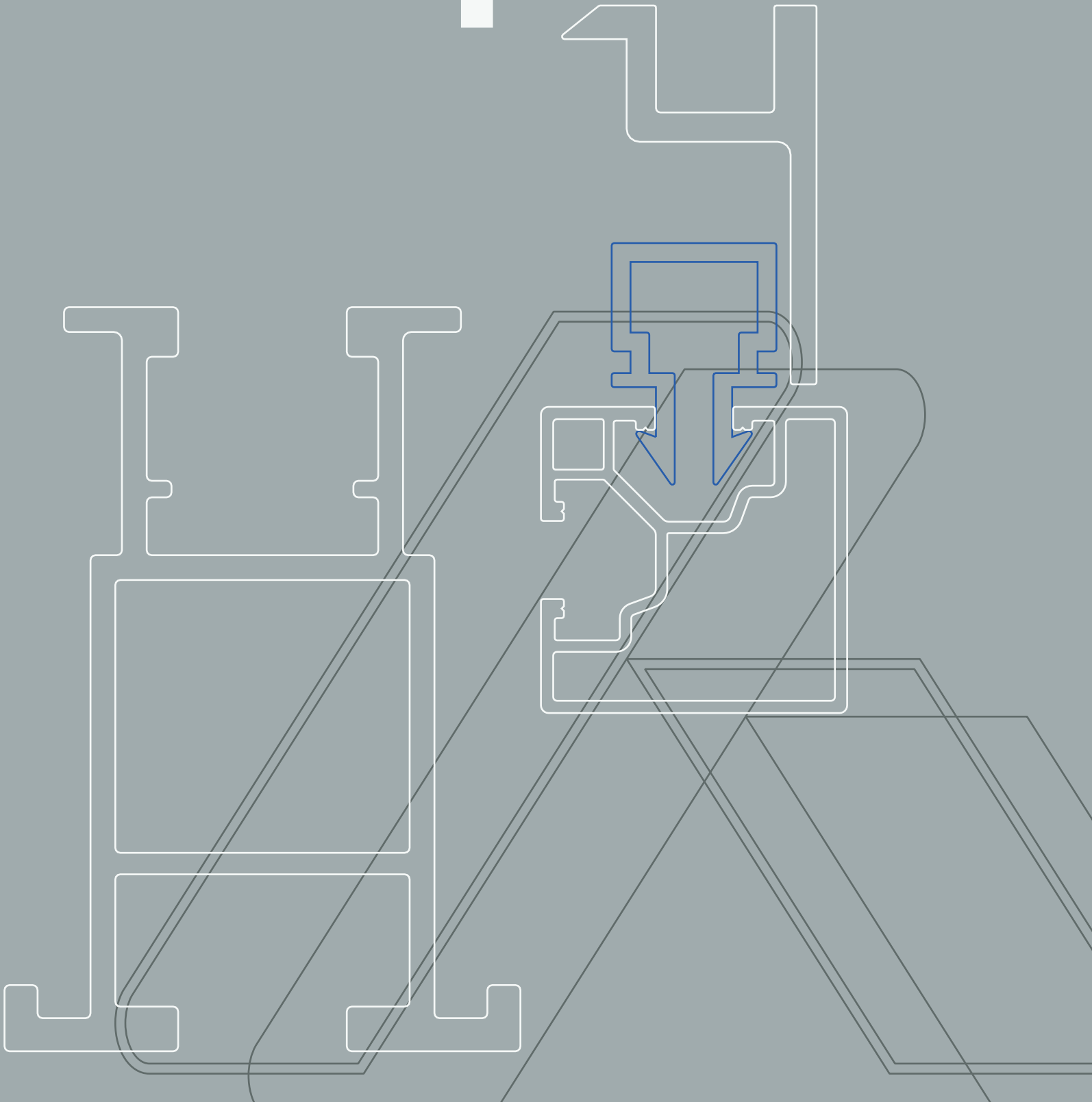


Innovative Approach for Industrial Solutions.

Construction

Profiles &

Clamps



The background features a large, light gray outline of a complex aluminum profile. This profile has a wide top flange with a curved edge, a vertical stem, and a bottom flange with a complex, multi-faceted shape. The profile is shown in a perspective view, extending from the top right towards the bottom left. The text is overlaid on the left side of this profile.

Profiles for both solid and ground applications

New profiles in special designs for projects

More durable constructions with 6005 alloy

Aluminum profile production between 0.3 -12 meters

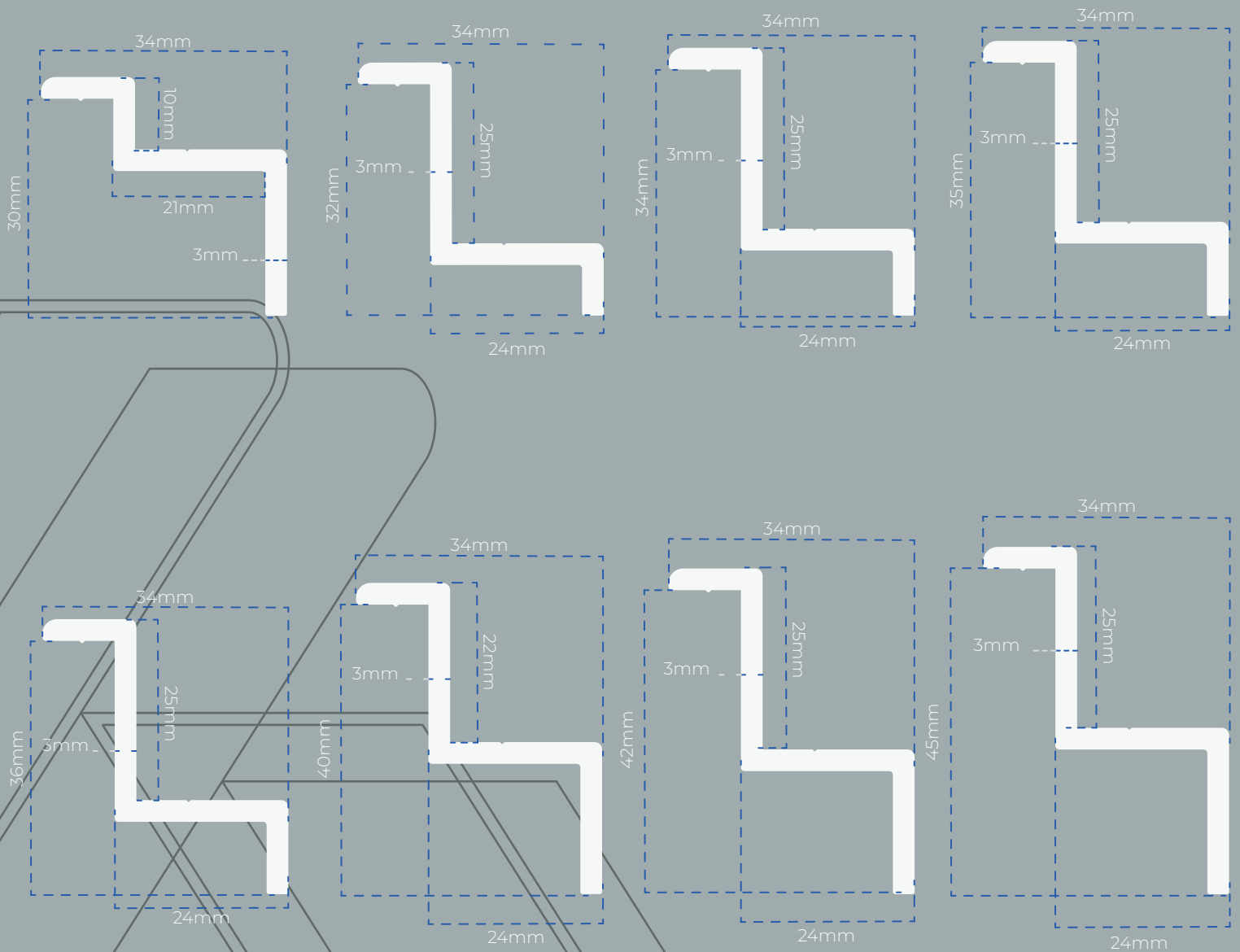
Clamp manufacturing in different types and lengths

Mechanical processing capabilities CNC machinery

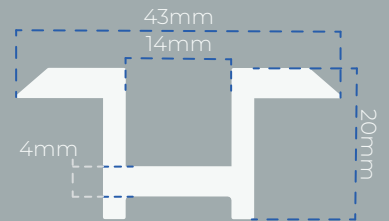
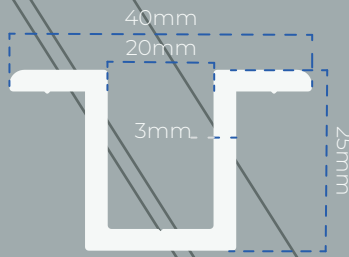
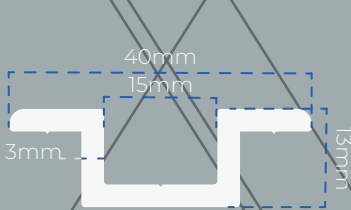
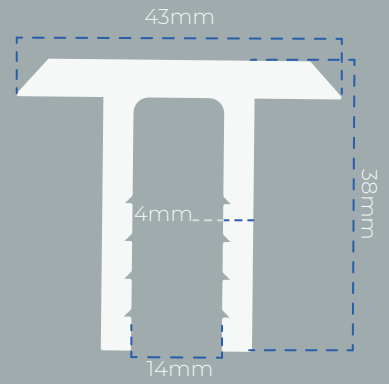
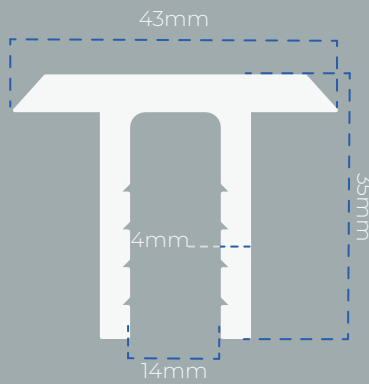
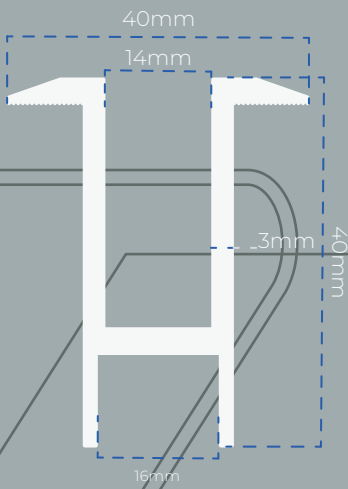
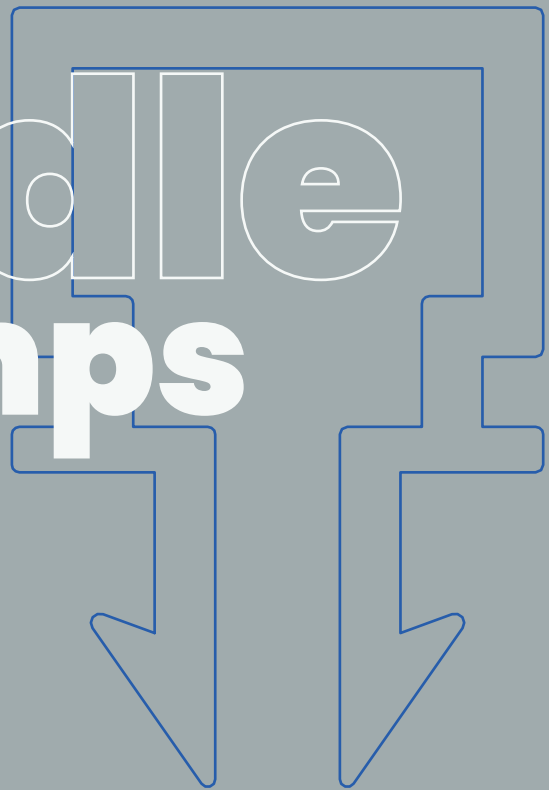
Clamps according to 30-50 mm panels

A blue outline of a profile is located at the bottom of the page. It features a wide top flange with a complex, multi-faceted shape, similar to the one in the background, and a vertical stem. The profile is shown in a perspective view, extending from the bottom right towards the top left.

End Clamps

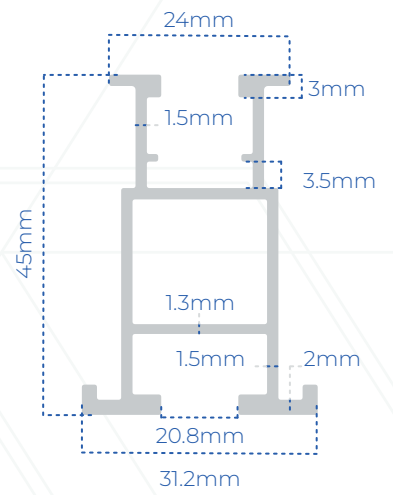
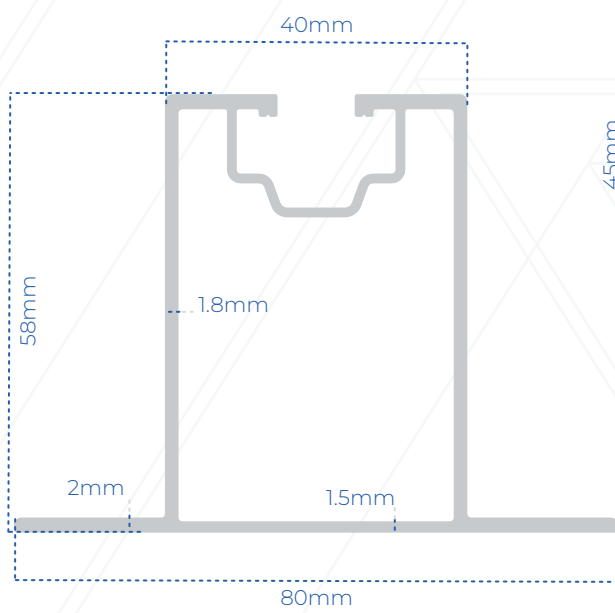
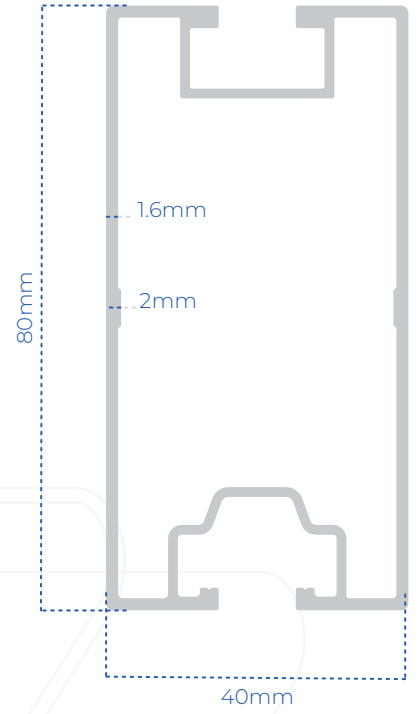
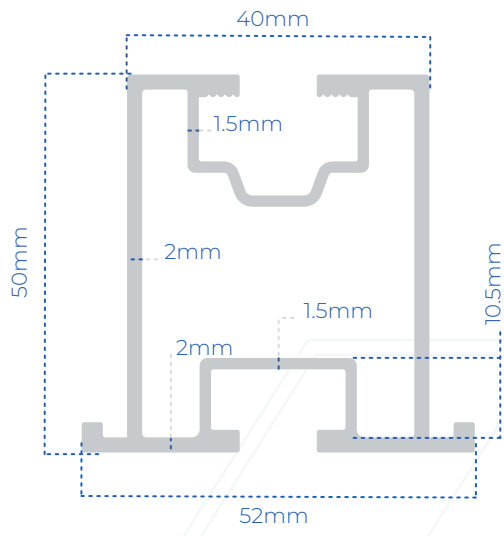
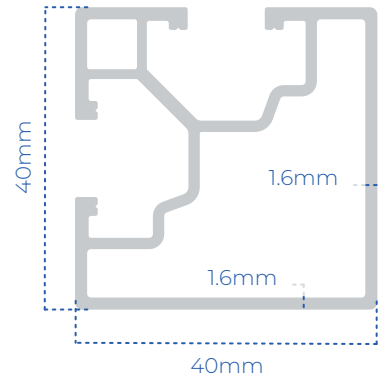
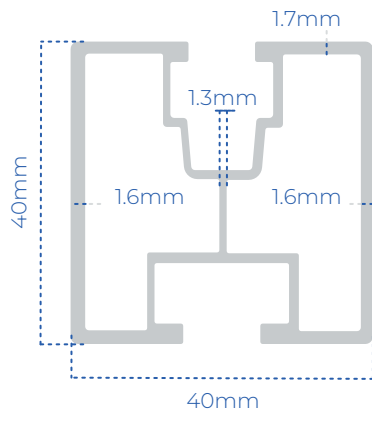
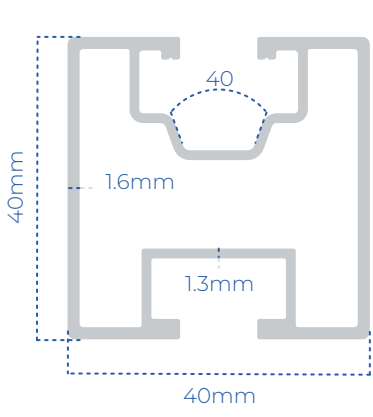


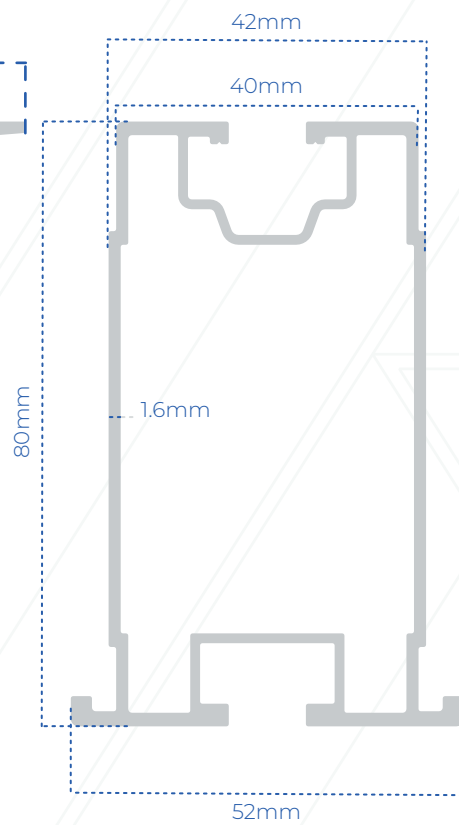
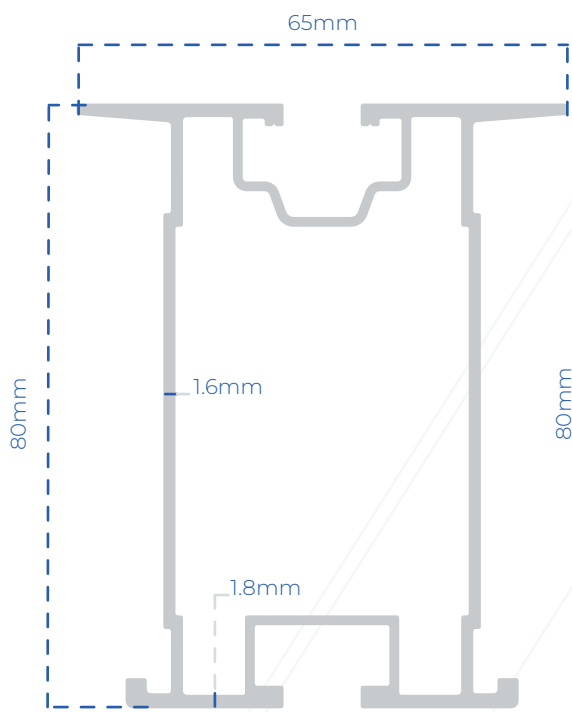
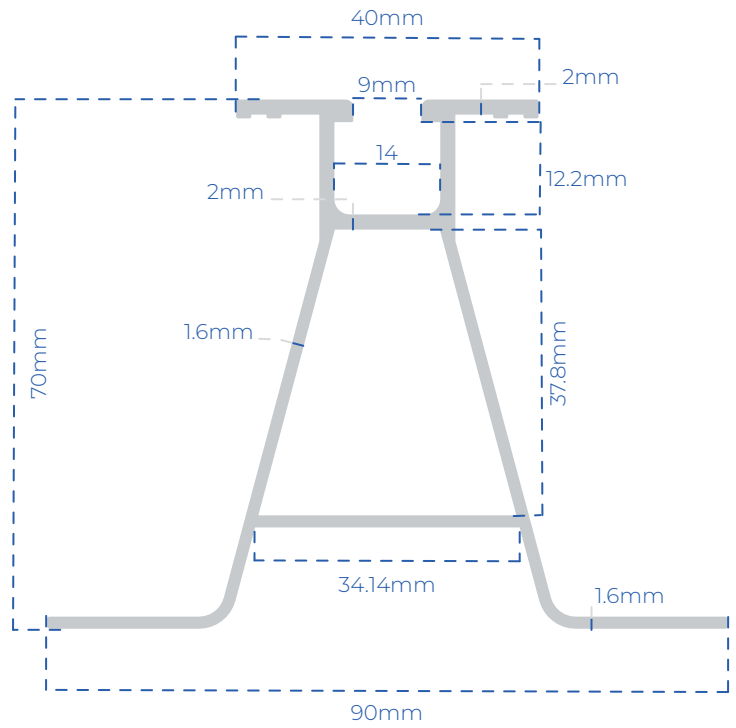
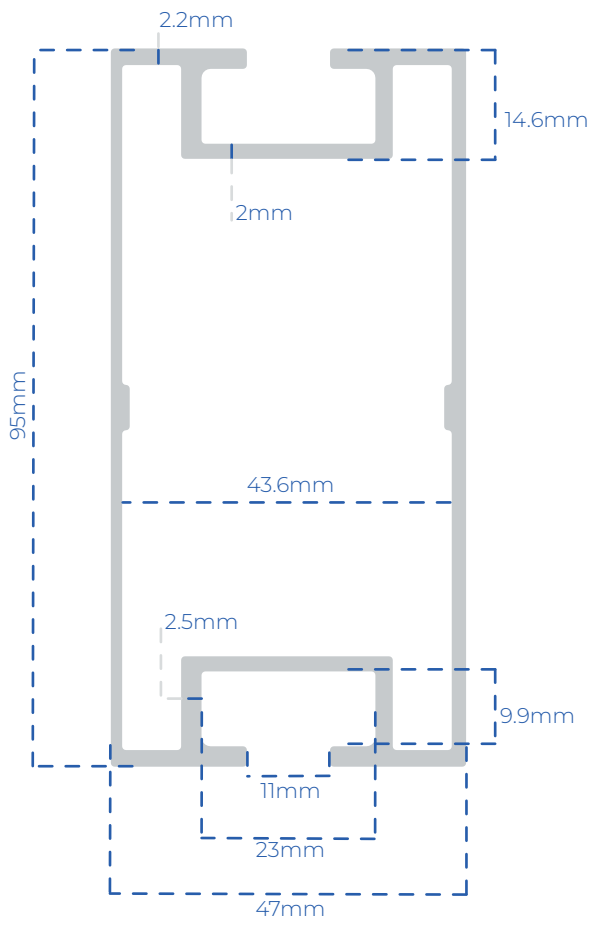
Middle Clamps



Construction

Profiles





ROOF & GROUND



ALL YOUR NEEDS IN ONE PLACE

ALPRO
TEKNİK



Çalı Mh. Çalı Sanayi Bölgesi
Çınarlık Cd. No:18-20/B
Nilüfer/BURSA

info@alproteknik.com.tr